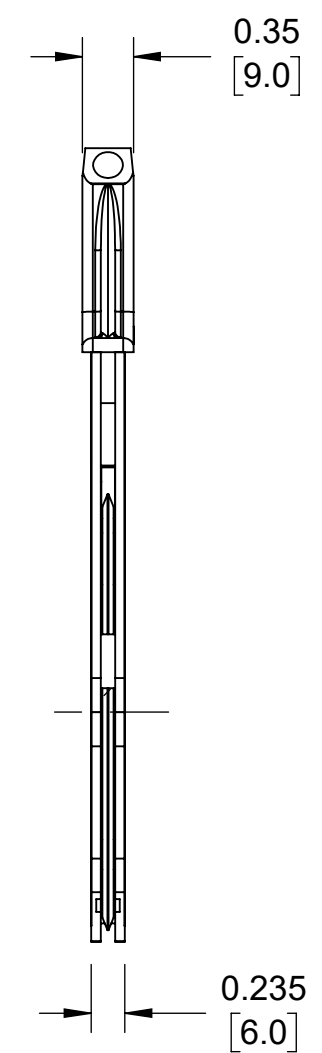
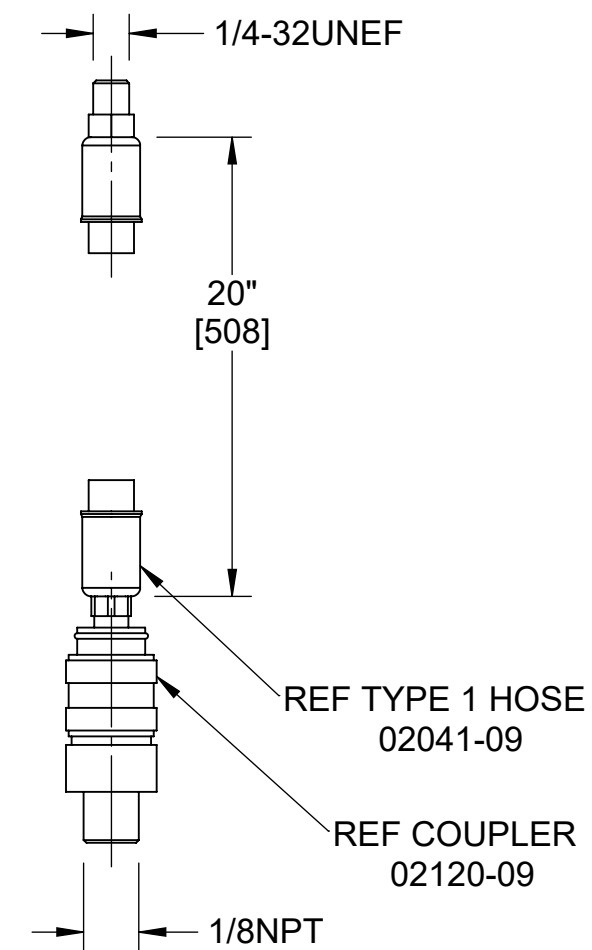
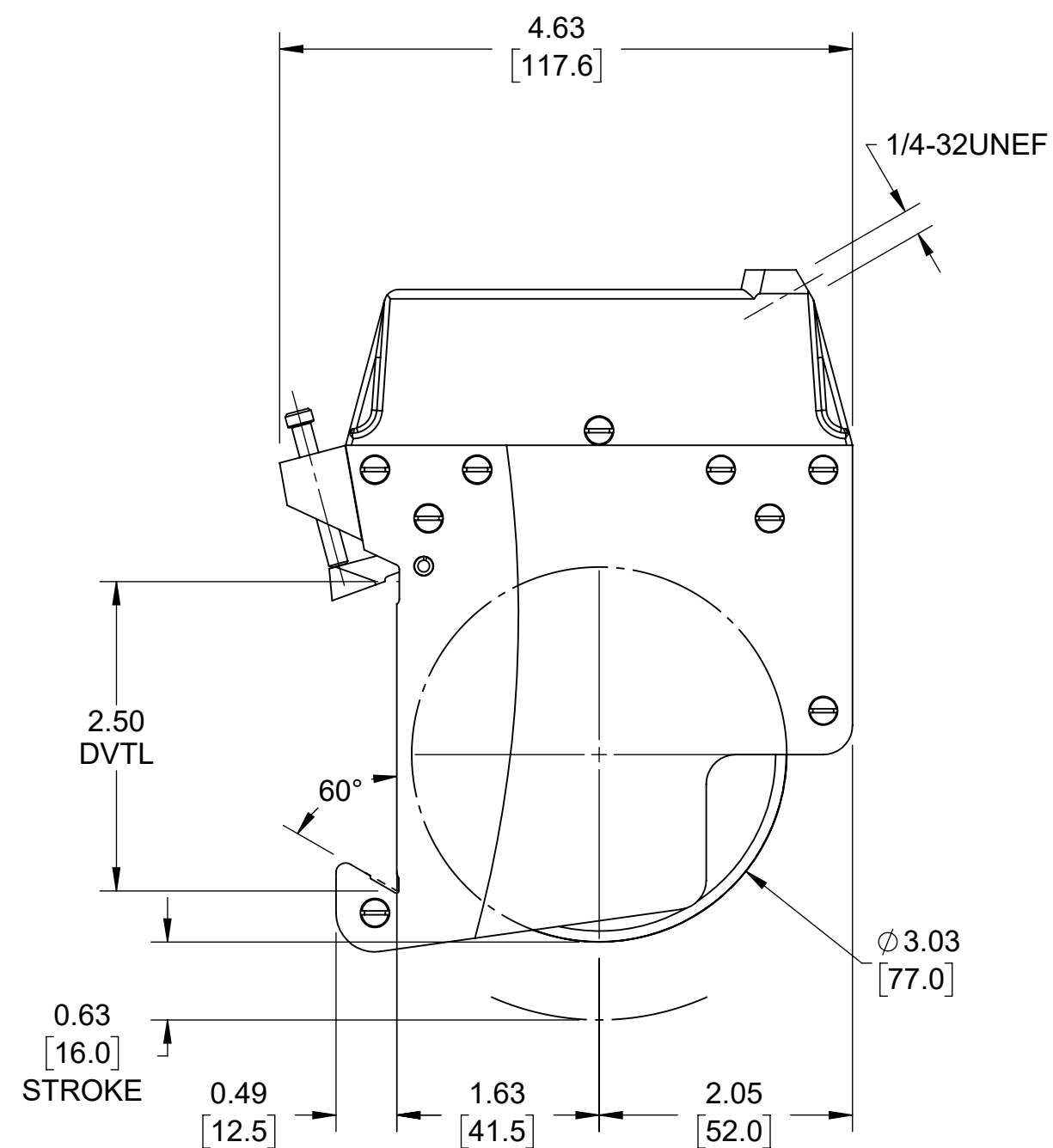
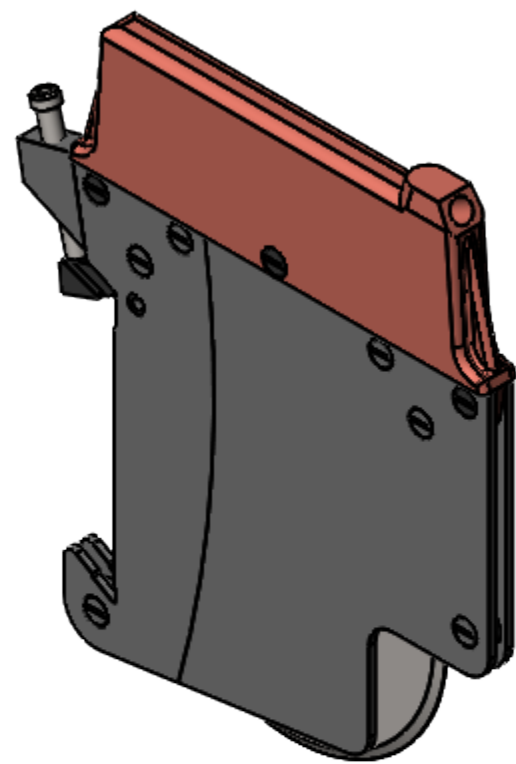


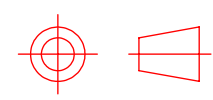
REVISIONS			
REV.	ERN	DATE	CHC'D BY
-	4499	2/9/2021	RELSO



NOTES:

1. MATERIAL: SEE BILL OF MATERIAL.
2. THIS HOLDER IS STANDARD CONFIGURATION.
3. USE FIXTURE TO ENSURE HOLDER IS ASSEMBLED SQUARE, IF APPLICABLE
4. TEST HOLDER FOR STROKE & PNEUMATIC LEAKS.
5. APPROX. WEIGHT: 1.5 LBS
6. THIS DRAWING REFERENCE ONLY
SEE DW DRAWING 244A158B02001.

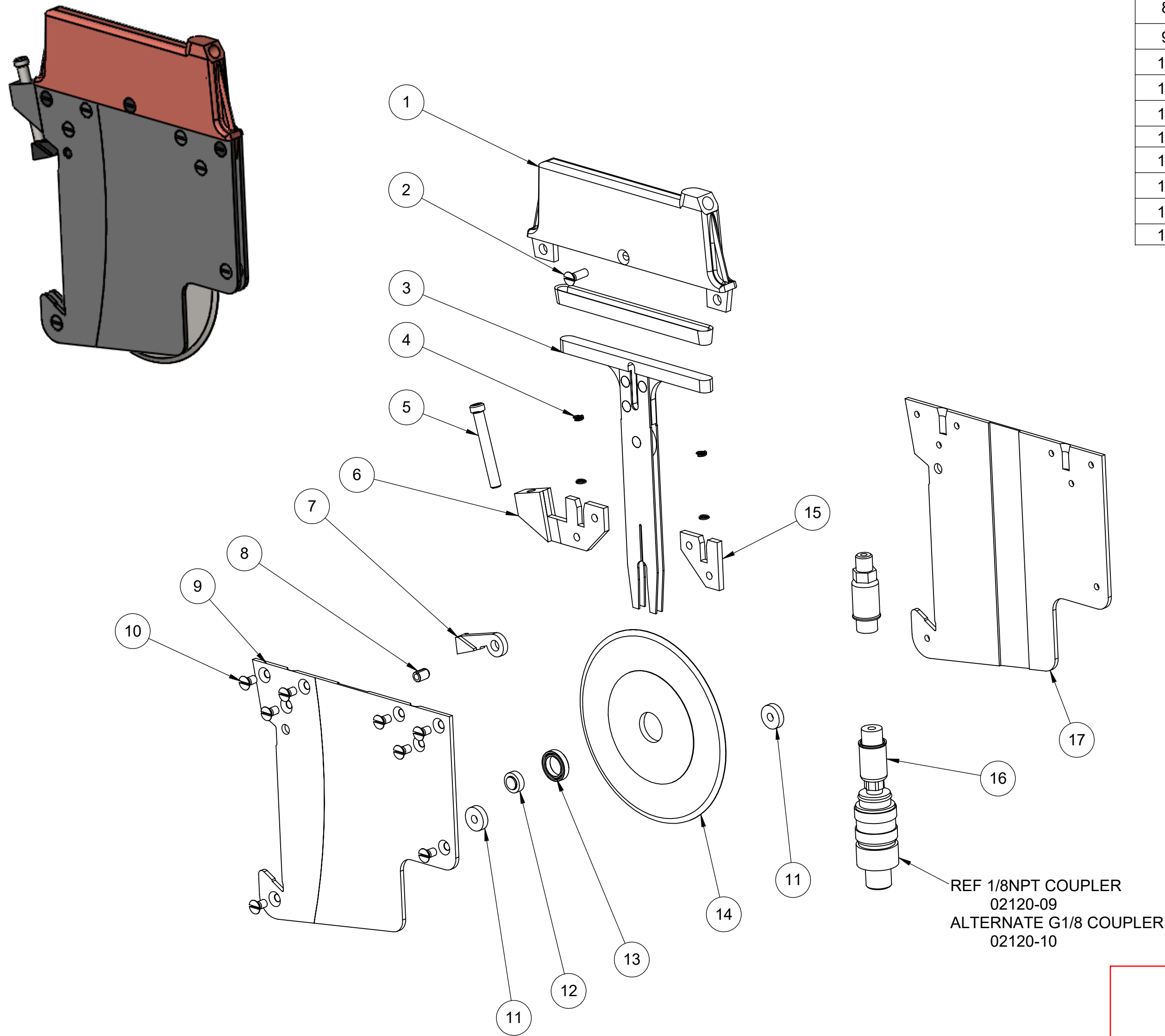
This document is the property of
Dienes Corporation
It may contain proprietary information
DO NOT USE FOR PURPOSES
OTHER THAN THOSE INTENDED

 US PROJECTION		DIENES CORPORATION <i>Spencer Massachusetts</i>	
HLDR, PQAS6MM, SHORT		Drawn by: BGB	Date: 02/09/2021
REFERENCE METRIC DATA		Checked by: BB	Date: 02/09/2021
DIM	TOL	Scale: 3:4	Drawing Number C021117
O.D.		Sheet 1 of 2	
I.D.		Rev. -	
THK.		REF DWG: 021116	
		For Internal DIENES CORPORATION Use Only	

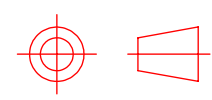
PQAS 6MM Score Cut Holder (Short)

Dienes No. 021117

ITEM NO.	PART NUMBER	DESCRIPTION	QTY.
1	02443	CYLINDER,PRESS,W/GASKET	1
2	245B010176020	SCR,C'SINK,M3X9	1
3	02199	FORK ASSY,6MM SHORT	1
4	021167	SPRG,RETURN .165X.025X1.204	2
5	613522	SCR,CAP,SOC HD,M4X30	1
6	244B050303010	INTERM CLAMPING PIECE	1
7	021670	CLAMPING PIECE	1
8	616364	PIN,SPRING,M4X6 (GRIND TO 5.5MM)	1
9	244B110580020	LH PLATE (NON REPLACEABLE)	1
10	234B010176010	SCR,C'SINK,M3X5.5	8
11	244B010287010	RING,DISTANCE PQAS 6MM	2
12	02047-09	PIN,BRG 8MM O.D.	1
13	02046-09	BRG,BALL,12X8X2.5	1
14	22054	KNF,SCORE 76.96X12X2.5	1
15	244B020313010	INTERM CLAMPING PIECE	1
16	02041-09	HOSE,AIR,TYPE 1 - 20" W/CPLR	1
17	244B110581020	RH PLATE(NON REPLACEABLE)	1



This document is the property of
Dienes Corporation
 It may contain proprietary information
 DO NOT USE FOR PURPOSES
 OTHER THAN THOSE INTENDED

 US PROJECTION		DIENES CORPORATION <i>Spencer Massachusetts</i>	
HLDR,PQAS6MM,SHORT		Drawn by: BGB	Date: 02/09/2021
REFERENCE METRIC DATA		Checked by: BB	Date: 02/09/2021
DIM	TOL	Tolerances Unless Noted: .XXX ±.0005 XXX ±.005 XX ±.010 FRACT: ±.015 ANGLE: ±1/2° Finish Unless Noted: <input checked="" type="checkbox"/>	Scale: 3:4
O.D.		DO NOT SCALE DRAWING	Drawing Number C021117
I.D.		Sheet 2 of 2	Rev. -
THK.		For Internal DIENES CORPORATION Use Only	
REF DWG:			