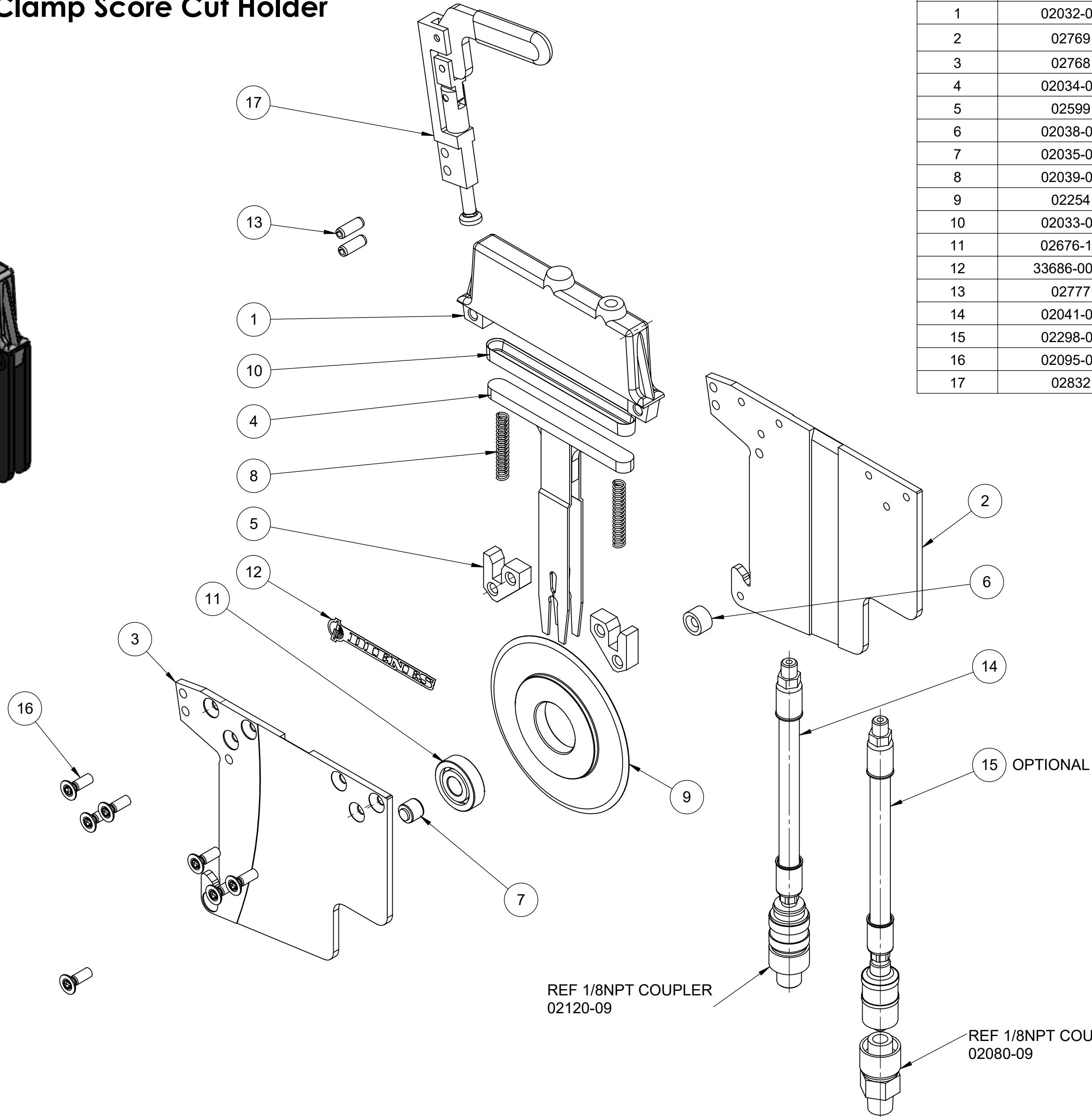
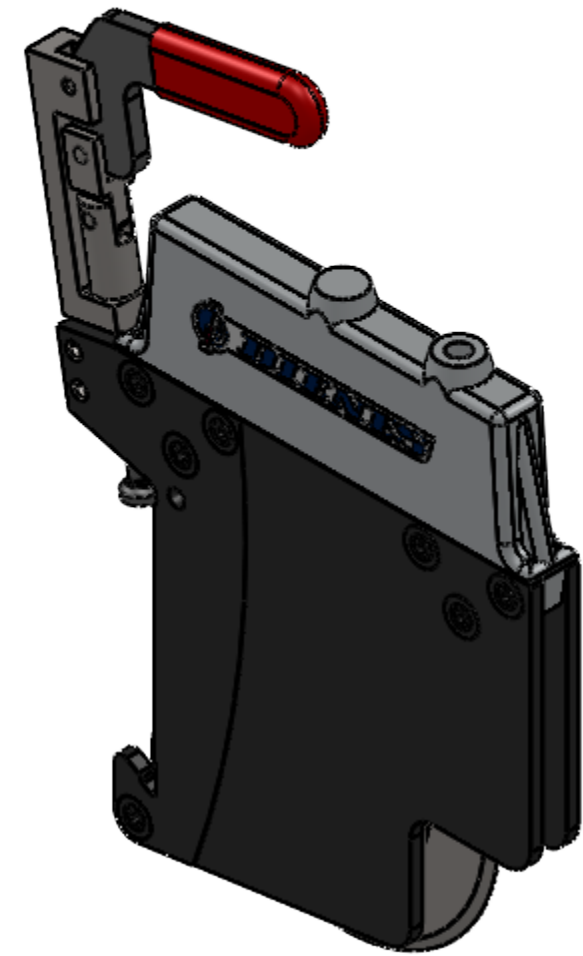


PQAS 1/2" Quick Clamp Score Cut Holder

Dienes No. 22300

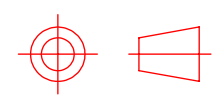


ITEM NO.	PART NUMBER	DESCRIPTION	
1	02032-09	PQAS PRESSURE CYLINDER	1
2	02769	PQAS LH SIDEPLATE (THRD)	1
3	02768	PQAS RH SIDEPLATE (C'SINK)	1
4	02034-09	PQAS 1/2" KNIFE FORK	1
5	02599	INTERMEDIATE PIECE	2
6	02038-09	DISTANCE RING	1
7	02035-09	BEARING PIN	1
8	02039-09	SPRG,PRESSURE,30mm LONG	2
9	02254	KNF,CRUSHCUT 793A - 52100	1
10	02033-09	GASKET,BLADDER PQAS 1/2"	1
11	02676-11	BRG,BALL,SEALED 8X22X6	1
12	33686-0015	LOGO,DECAL	1
13	02777	PIN,SPRING M4X12	2
14	02041-09	HOSE,AIR,TYPE 1 - 20" W/CPLR	1
15	02298-09	HOSE,AIR,TYPE 3, 20"W/CPLR	1
16	02095-09	SCR,CAP,FL TORX HD,M4X12	7
17	02832	QUICK CLAMP FOR PQAS 1/2"	1

REF 1/8NPT COUPLER
02120-09

REF 1/8NPT COUPLER
02080-09

This document is the property of
Dienes Corporation
It may contain proprietary information
DO NOT USE FOR PURPOSES
OTHER THAN THOSE INTENDED

 US PROJECTION		DIENES CORPORATION <i>Spencer Massachusetts</i>	
REFERENCE METRIC DATA		HLDR,PQAS 1/2",W/QC STD	
Unless Otherwise Noted Dimensions Are In Inches Tolerances Unless Noted: .XXX ±.005 .XX ±.010 FRACT. ±.015 ANGLE ±1/2° Finish Unless Noted: <input checked="" type="checkbox"/> 125		Drawn by: BGB Date: 05/14/2020 Checked by: BGB Date: 05/14/2020 Scale: 3:4	Drawing Number C22300 Rev. A
DIM	TOL	Sheet 2 of 2	
O.D.		REF DWG: 02023-01	
I.D.		For Internal DIENES CORPORATION Use Only	
THK.			